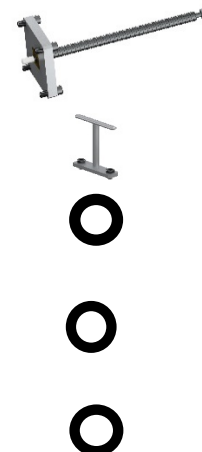


# Feed & Distribution Block Replacement Parts

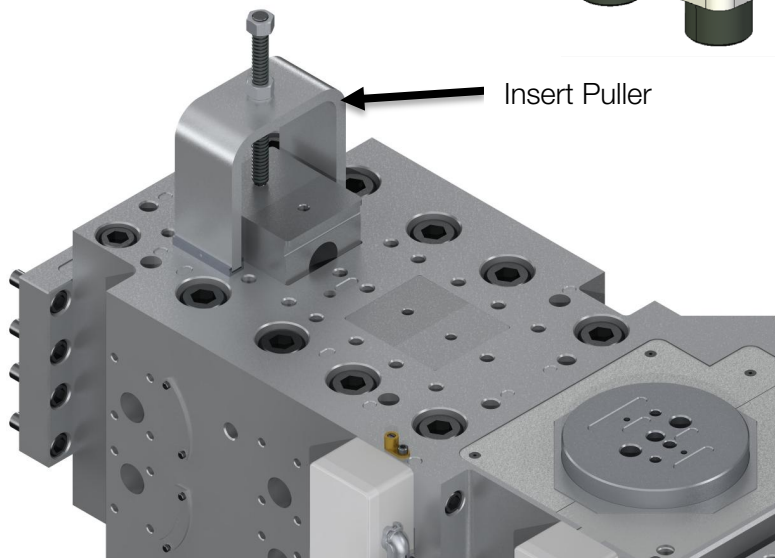
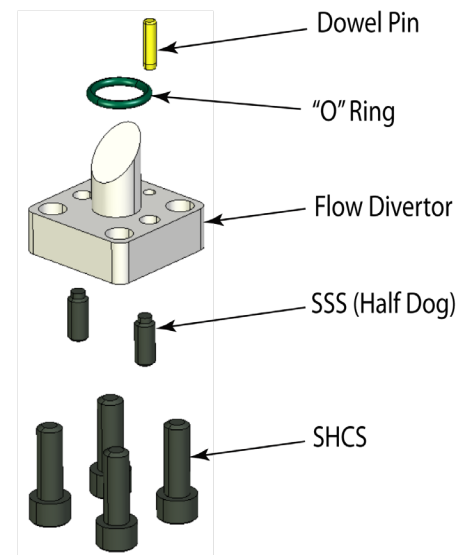
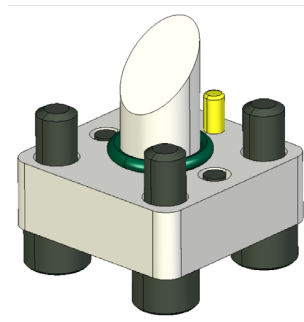
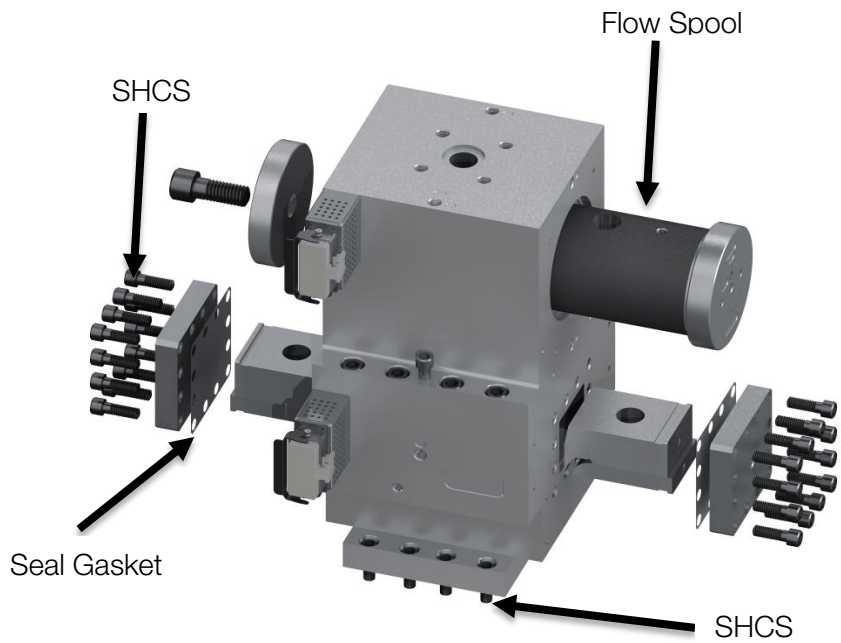
## Suggested Items to Stock

Part	Suggested Qty
<input type="checkbox"/> Thermocouple Adaptors *If Nordson standard TC taps were drilled	Percentage of Total Qty Needed 20% (Minimum of 2)
<input type="checkbox"/> Seal Gaskets	Minimum of 2 Sets
<input type="checkbox"/> O-Rings (Includes Flow and Plug Diverters) *If Needed	Minimum of 2 Sets
<input type="checkbox"/> Block Body Heaters (All sizes of heaters)	10% (Minimum of 3)
<input type="checkbox"/> All FHCS	100%
<input type="checkbox"/> All SHCS (Including Flow and Plug Diverter SHCS)	100%
<input type="checkbox"/> Jack Bolts *If you have a split body design	4
<input type="checkbox"/> Block Body Bolts *If you have a split body design	100%
<input type="checkbox"/> Block Body Bolt Washers *If you have a split body design	100%
<input type="checkbox"/> Flow and Plug Diverter Dowel Pin	100%
<input type="checkbox"/> Insert Puller *If you have flow and VM inserts	1
<input type="checkbox"/> Standard Die Cleaning Kit	1
<input type="checkbox"/> Steric Acid Flakes (To be Sourced Locally by the Customer)	2-3 Pounds
<b>For Blocks with Flow Spools</b>	
<input type="checkbox"/> Flow Spool Pusher Assembly	1
<input type="checkbox"/> Special T-Handle Puller	1
<input type="checkbox"/> Spool O-Rings	Minimum of 2 Sets
<b>For Blocks with Accuflow™ Inserts Spools</b>	
<input type="checkbox"/> O-Rings and Packing Seals	Minimum of 2 Sets
<b>For 5-T Style Block Spools</b>	
<input type="checkbox"/> O-Rings and Brake Pads	Minimum of 2 Sets
<b>For 3 Layer Streamlined Feedblocks</b>	
<input type="checkbox"/> End Seal Gaskets (*May Have Two Types on Each End)	Minimum of 2 Sets
<input type="checkbox"/> Body Seals (If required)	Minimum of 2 Sets



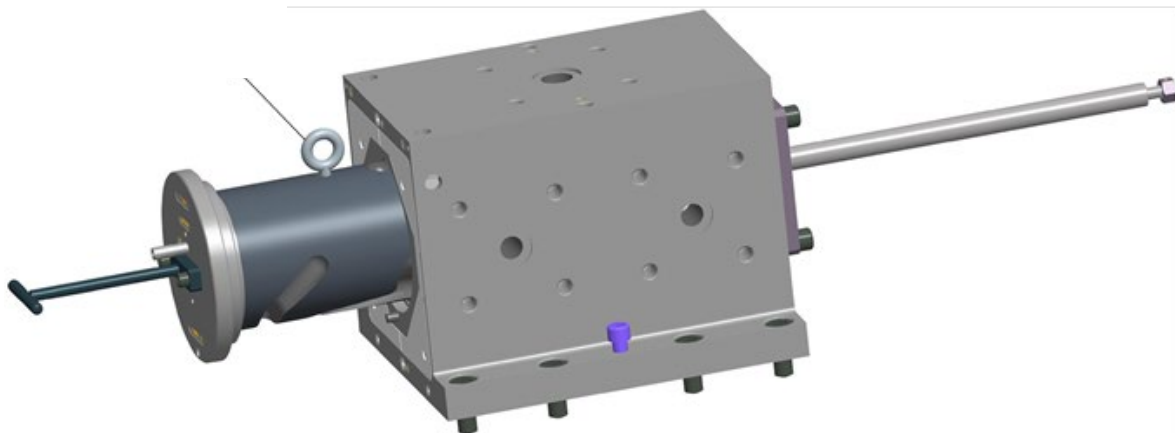
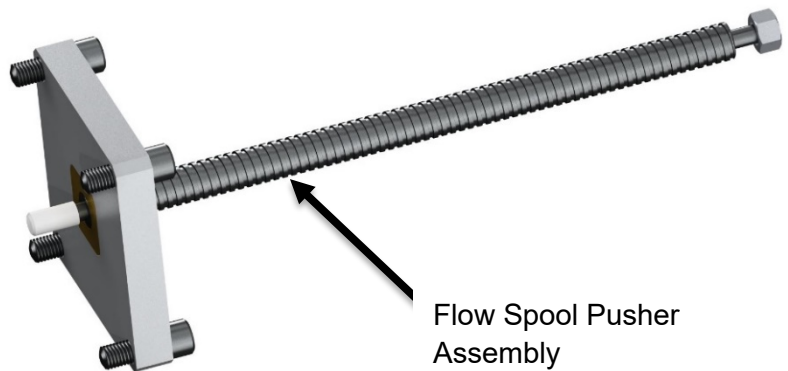
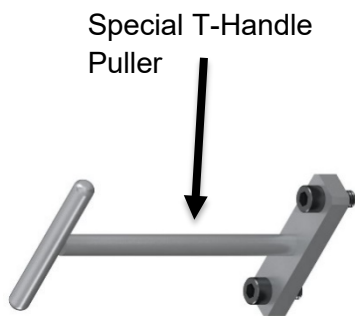
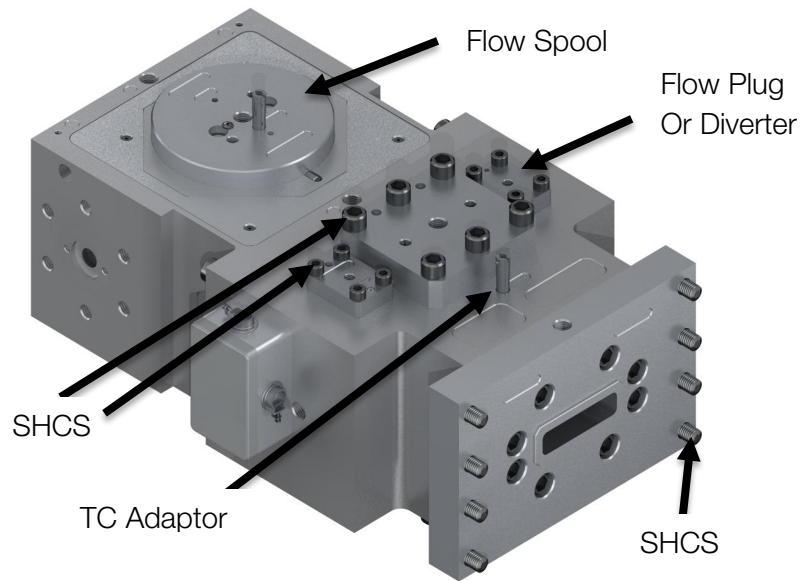
# Feed & Distribution Block Replacement Parts

Suggested Items to Stock



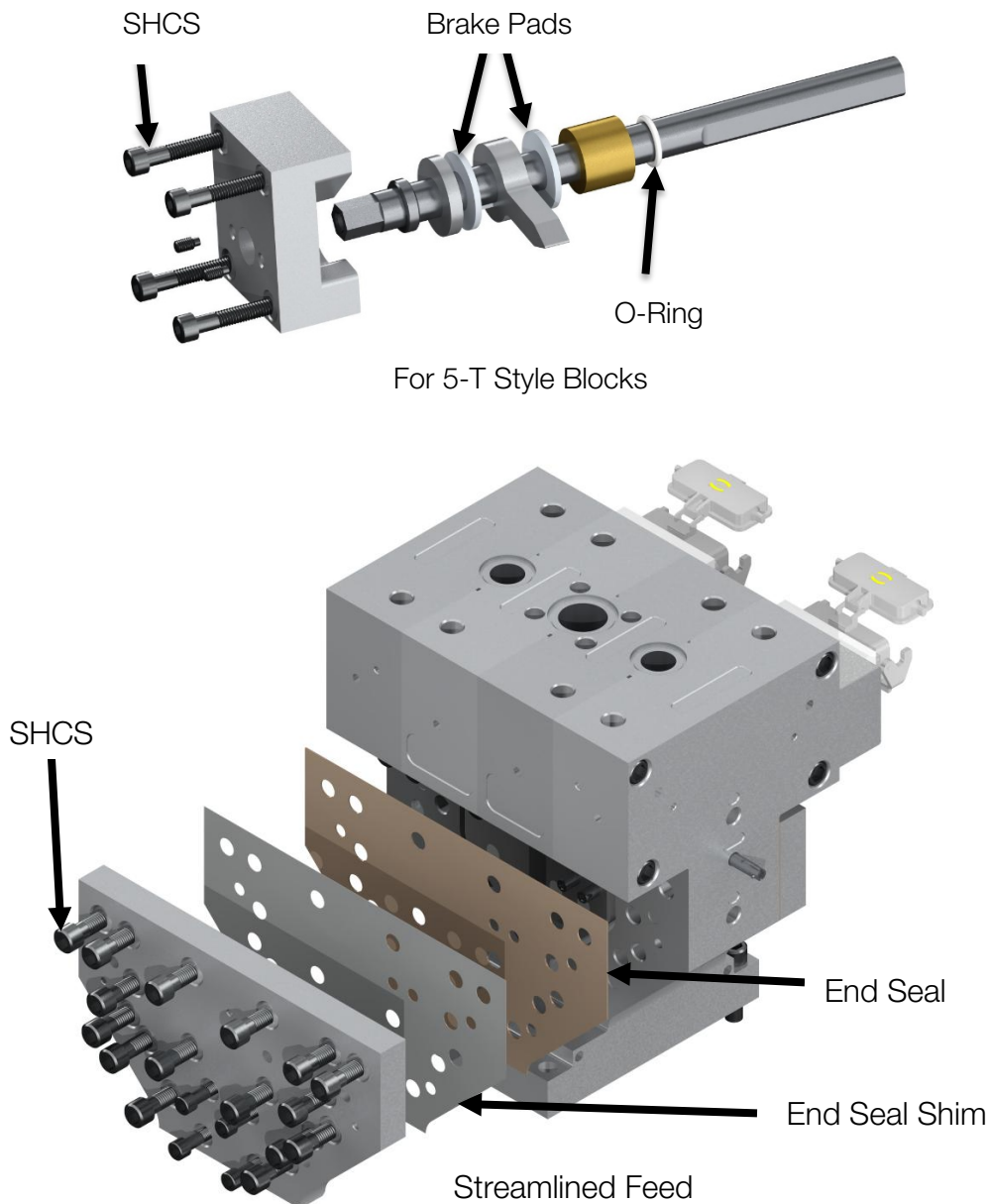
# Feed & Distribution Block Replacement Parts

Suggested Items to Stock



# Feed & Distribution Block Replacement Parts

Suggested Items to Stock



To order block replacement parts, please contact us at [spareparts@nordson.com](mailto:spareparts@nordson.com).