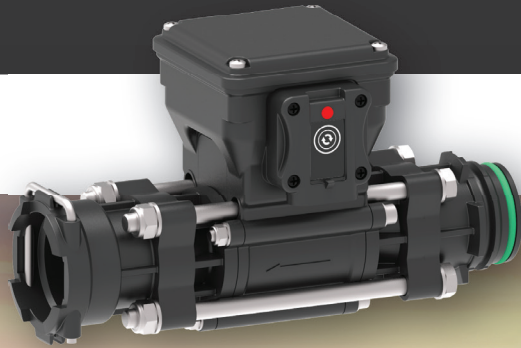


orion²⁺



ELECTROMAGNETIC FLOWMETER
FOR AGRICULTURAL APPLICATION



ARAG[®]

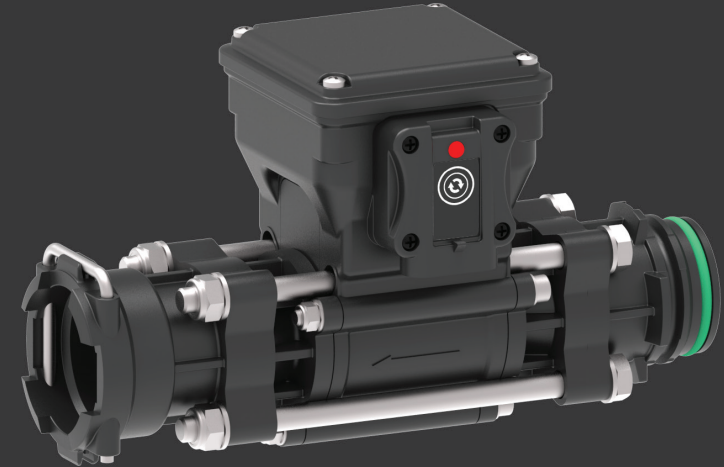
A Nordson Company

Orion 2+

ELECTROMAGNETIC FLOWMETER FOR AGRICULTURAL APPLICATION

Advanced performance. Seamless integration.

Orion 2+ is the evolution of the Orion 2 electromagnetic flowmeter, designed for precise flow measurement across a wide range of applications.



Full-Range Accuracy



An **extended measurement range** ensures precise readings across various applications, even at low ranges.

Auto-Clean Function



The integrated **self-cleaning button** enables easy internal cleaning without disassembling the system.

Handles Any Fluid



Engineered to handle **high-viscosity** and **high-conductivity** fluids, including concentrated liquid fertilizers.

No Recalibration



The **lifetime factory CAL number** eliminates the need for in-field calibration.

Technical Features

Reading Ranges

0.2 ÷ 20 l/min (0.053 ÷ 5.3 GPM)

2 ÷ 200 l/min (0.53 ÷ 53 GPM)

8 ÷ 800 l/min (2.11 ÷ 211 GPM)

Working Pressure

Capable of withstanding pressures up to 20 bar (290 psi) with plastic fittings, and up to 40 bar (580 psi) when equipped with brass fittings.

Orion 2 Retro-Compatibility

Same size, connector, and fittings ensure full backwards compatibility with existing systems.

Self-Cleaning Timing

Standard: 15 min (routine)

Complete: up to 1.5 h for severe buildup.

Boom Spraying



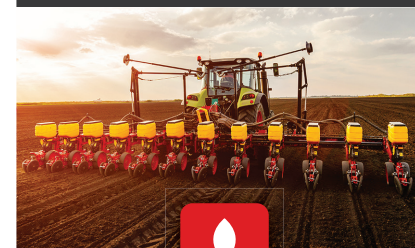
Orchard Spraying



Multirow Spraying



Liquid Fertilizing



APPLICATIONS



Discover all ARAG precision farming solutions online or contact us for further information by scanning the QR code.



www.aragnet.com